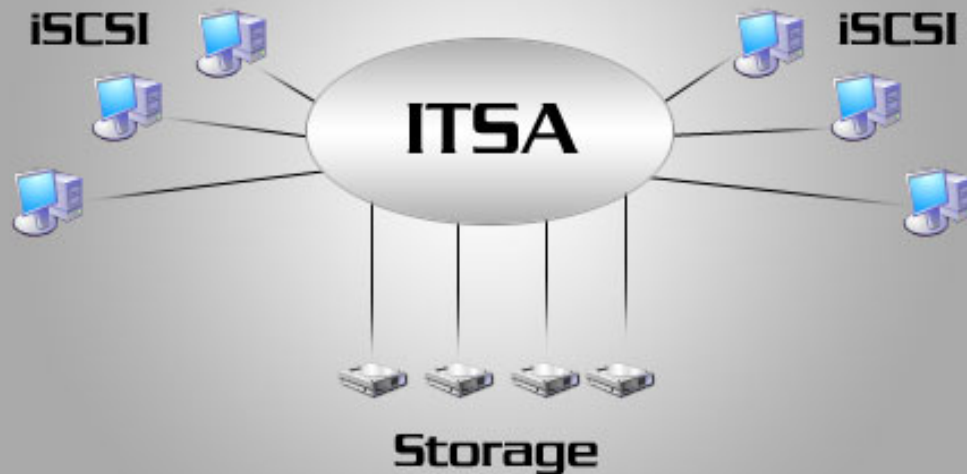


## iSCSI Target Software Appliance (ITSA™)



### Build an IP Storage / IP SAN.....

iSCSI Target Software Appliance (ITSA™) is a standalone software product that enables building a complete iSCSI based Network Storage appliance using off-the-shelf servers. All you need is a standard server and an ITSA to have a SAN... ITSA's easy-to-use, web based management GUI gives users a central management station to configure, allocate, and manage the storage resources for the entire enterprise.

ITSA will turn any standard server into a Networked Storage by allowing any storage, internal disks, volumes created by a raid adapter, or external storage attached to that server to be shared with other servers on the network.

#### Virtualization

Manage and use a pool of internal or external storage resources from a central management console.

#### Scalability

Start with small configurations and grow your storage as your business grows.

#### Multi-box management

Manage multiple ITSA servers from same User Interface.

#### Ease of Use

Simple, easy to use, web based User Interface.

#### Simple licensing

One license for any number of initiators, or storage capacities.

#### Storage independent

Support any type of internal hard drive (FC, SATA, SCSI, SAS, etc...), internal raid, or external storage.

#### Build a Storage Server

- Get a off-the-shelf server with any kind of internal or external storage
- Load any windows OS (Win-XP, Win2k, Win2003, Win2003 Storage Server)
- Load an ITSA
- You have a complete Network Storage (SAN)

#### iSCSI interface

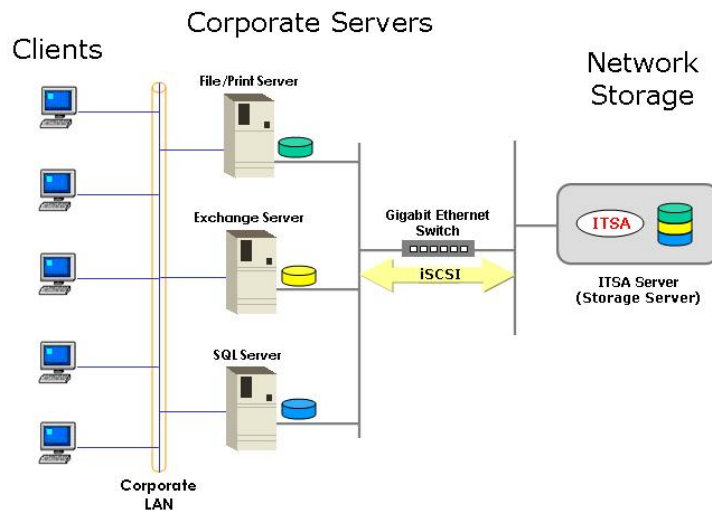
- Uses standard Ethernet cabling
- More than 4 times better performance than NAS
- Local or remote access to your storage

#### Storage made easy

- Build an IP Storage using an ITSA
- Build an IP SAN using an ITSA
- No need for expensive Fibre Channel HBA and switches

#### Windows Storage Server Companion™

- Get any Windows Storage Server NAS appliance
- Load an ITSA
- You have a dual Dialect NAS/SAN network storage
- Use the same box for block level or file based I/O applications



**Storage made easy.....**

- Build an IP Storage Server (ITSA Server)
- Install a free iSCSI software initiator on your servers
- Connect all the servers to your existing ethernet network
- Use ITSA GUI to allocate storage to your servers

Feature	Benefit
iSCSI protocol	- Block data transfer over any distance using IP - Use of existing Ethernet cabling
Virtualization	Virtualizes any kind of internal or external storage behind an ITSA
Multi-Box management	Manage multiple storage boxes from the same management console
Drive type independent	Compatible with any Storage. Fibre channel, IDE, SATA, .....
Multi-port support	Provides higher performance for the users
CHAP Support	Provides authentication
iSNS support	Provides for automatic discovery of the iSCSI devices
Web based GUI	Users can manage their storage anywhere on the networks, locally or remotely

Simple User Interface

Scalable

Full Virtualization

Affordable Storage

Volume Expansion

iSCSI Compliant

Authentication

CHAP Support

iSNS Support

Cluster Support

Web Based Management

High Availability

Redundancy / Mirroring

High Performance

Hardware Independent

Patent pending features

Free trial software

**Highlights:**

- Remote web based management
- Single or multi-box management
- Easy to install
- Easy to manage
- Affordable
- Supports unlimited number of servers
- Supports unlimited number of hard drives or storage capacities
- Allocate any size storage to servers
- Use internal or external drives
- Cost effective solution
- Support of raid storage for redundancy and high availability
- Patent pending designs for data protection
- Patent pending design for central management interface

**System Requirements:**

- 500 Mhz or higher CPU
- Windows Operating System:  
Windows XP-Pro  
Windows Server 2003  
Windows Storage Server 2003  
Windows Embedded (special request)  
Windows 2000 (special request)
- 128MB RAM or more
- 4 MB Free disk space

**Tripylon Networks, Inc.**

7265 Park Village Rd., San Diego, CA 92121

Tel: (858) 484-4871 | Fax: (858) 484-4383 | [www.tripylon.com](http://www.tripylon.com)